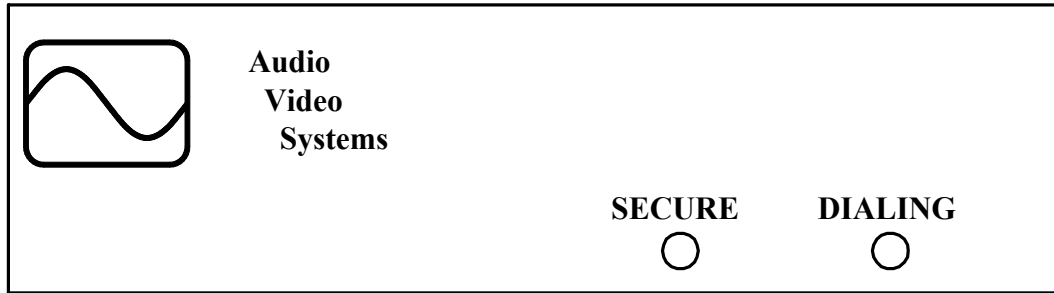


AVSIM-366

DIAL ISOLATION MODULE

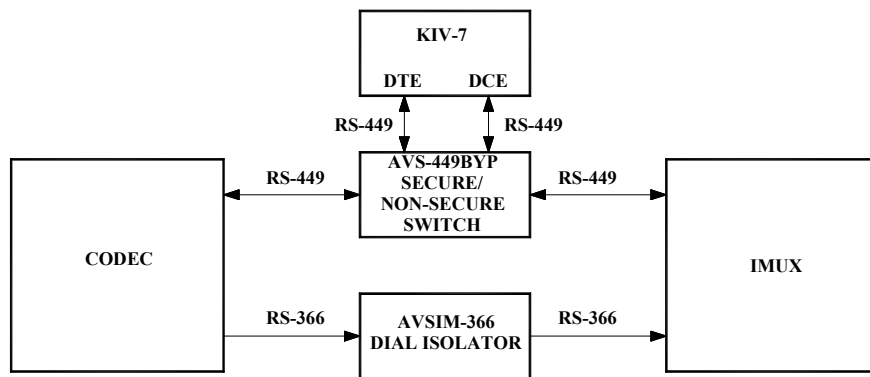


The AVSIM-366 Isolation Module provides a secure method for dialing from classified data systems using a RS-366 interface. When using an encryption device in a dialed up data connection, getting the dialed number information to the telephone network or IMUX has always been a problem. In the past, users have had to use separate terminals connected to IMUX's to do dialing. With the AVSIM-366, they can dial from their standard system dial interface just like UNCLASSIFIED users, thus saving money for unnecessary IMUX's and saving user's the frustration of a terminal interface designed for telephone technicians. The most common application for the AVS-IM366 would be for CLASSIFIED video teleconferencing across a dial network (DDS, SW56 or ISDN). A typical connection diagram is shown below.

The AVSIM-366 guarantees security by optically isolating DCE and DTE ports. The DTE side, which is normally connected to a CODEC, continuously provides network status information from the DTE port (UNCLASSIFIED to

CLASSIFIED). When a valid dial sequence commences from the CODEC, the AVSIM-366 passes dialed digits through the optical barrier and then isolates again when either the call connects or the CODEC quits the dial attempt. Calls are initiated only from the CLASSIFIED side but ring indication is provided from the network continuously. Transmission of the dialing sequence is indicated by a red LED. Once the call is established, the green LED is illuminated on the AVSIM-366, indicating the RS-366 connection has been automatically disconnected/isolated from the IMUX.

Isolation of the RS-366 signal lines from the CODEC to the IMUX side of the AVSIM-366 is guaranteed to exceed 80 dB from DC to 100kHz minimum. For approval of this device in your application, please contact your Cognizant Tempest Technical Authority. Use of this device in a system to guarantee isolation must be approved as part of an overall TEMPEST Plan for the system.



PHYSICAL SPECIFICATIONS:

Dimensions: 1.5"H x 5.5"W x 7.75"D
 Weight: 1.5lbs w/o Power Supply
 Power: 5 VDC, External Power Supply

ELECTRICAL SPECIFICATIONS:

Input: RS-366, DB-25F on chassis
 Output: RS-366, DB-25M on chassis
 Isolation: 80 dB from DC to 100kHz min.

Audio Video Systems, Inc.
 14120-K Sullyfield Circle
 Chantilly, Virginia 20151

703-263-1002 703-263-0722 (FAX) www.avsinc.net