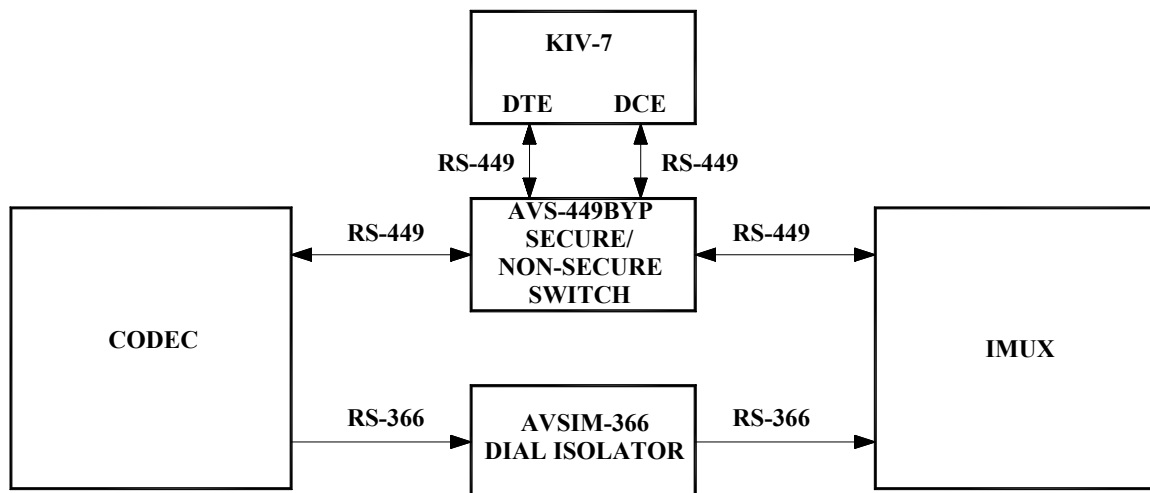




## AVS-449BYP Secure VTC System Kit

This device is intended to be used with the AVSIM-366 Dial Isolation Module as shown below. The AVSIM-366 device is required to insure that the dial connection from the video conferencing system does not compromise sensitive information by making a direct connection around the encryption device. This module is a bi-directional fiber optic isolator with an automatic cutoff of the dial connection after a call completes or after a call attempt fails.



The AVS-449BYP is a kit for wiring a complete secure video conferencing system with a KIV-7HS Encryption device. It includes encryption bypass capability to change from encrypted to non-encrypted modes of operation. The bypass switch is a dual 25-pin air gap switch which double air gap isolates the bypass connection around the encryption device. The interface is V.35 or RS-449 to the CODEC and RS-449 to the IMUX. Cables to connect to a Male DCE V.35 or Male DB37 DCE device from the CODEC must be purchased separately and differ according to CODEC type and manufacture. Likewise the cables to connect the RS-449 data to the IMUX plus any extension cables to remote the IMUX (Un-secure) from the video conferencing equipment (Secure) are not provided. Typically a proprietary split out cable to combine dial information (RS-366) and data (RS-449) to the IMUX is required. Please request these additional cables from the AVS representative and provide make and model of the IMUX and CODEC. All cables are twisted pair with over foil shield and drain wire connected to ground pins on one end. The bypass switch enclosure is 3.5"x6"x6.3."

**Audio Video Systems, Inc.**  
14120-K Sullyfield Circle  
Chantilly, Virginia 20151  
703-263-1002  
Fax 703-263-0722  
[www.avsinc.net](http://www.avsinc.net)